

# FLEXI

By FLUID-BAG

Fluid-Bag FLEXI is a flexible one-way intermediate bulk container.

- ✓ Optimal for use when no return transport is needed.
- ✓ Designed for liquids and semi-solid materials.
- ✓ Used instead of drums, IBC tanks, totes, and more.
- ✓ Make a modern and sustainable choice!



## Benefits

### Quality and Safety

The durable inner bag provides a closed system with protective barriers, avoiding the risk of particle, bacteria, or moisture contamination. Different inner liner combinations are available to ensure the quality of the product that is being handled.

### Economy

**One-time use:** Avoid handling and return transportation of empty bulky containers. Skip the cost of washing, maintenance, and/or external collection services.

**Minimize waste:** Product residues after emptying can be as low as 0.3 %, thanks to stretching and/or squeezing the inner bag with Fluid-Bag's discharge equipment.

### Sustainability

The inner bag is made of app. 4.3 kg of plastic material. The environmental footprint per Fluid-Bag FLEXI, cradle-to-gate, is -27.8 kg CO<sub>2</sub>-eq. in Europe, -11.2 kg CO<sub>2</sub>-eq. in Asia, and -25.3 kg CO<sub>2</sub>-eq. in the US.



# FLUID-BAG

Liquid on the *move...*

Fluid-Bag Ltd.  
Bottenviksvägen 54-56  
FI-68600 Jakobstad, Finland  
solutions@fluid-bag.com  
www.fluid-bag.com

## Technical Data

### Parts

**Stacking frame:** The steel frame provides extra stability and act as support when stacking filled Fluid-Bag FLEXI's.

**Inner bag:** Multi-layer foil surrounded by polypropylene fabric. Barrier foil according to liquid type. Equipped with top and bottom inlets/outlets for filling and discharge. Can be sterilized by X-ray.

**Transport bag:** The transport bag is made of polypropylene fabric. It can be supplied with printing, such as logotype.

**Wooden poles:** The four poles are attached to the transport bag.

**Wooden pallet:** The pallet is tailored for Fluid-Bag FLEXI.

The wood is ISPM 15 treated and stamped.

### Capacity

900 and 1000 liters.

### Weight

App. 39 kg.

### Inlet and Outlets

#### Top Inlet

4" threaded bung opening.

Tamper proof sealing of the top possible. Stirrers can be inserted into the bung opening.

#### Bottom Outlets

- 2" discharge pipe with flapper valve
- 3" discharge pipe
- 3" discharge pipe with integrated 3" butterfly valve
- 4" discharge pipe
- 4" bottom outlet

### General Limit Values

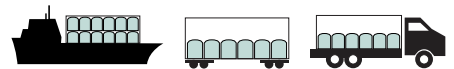
Max. Weight (Total)	2200 kg
Max. Stacking Height	2 Fluid-Bag FLEXI
Filling Temperature	-18°C - +70°C
Minimum Order	20 Fluid-Bag FLEXI

### Handling

Fluid-Bag FLEXI can be forklifted from all four sides and from two sides with hand trucks.

### Delivery (when empty)

The inner bags, transport bags and poles arrive in neatly packed boxes. Pallets are stacked. One 20-foot container can hold 100 empty Fluid-Bag FLEXI's, and a truck can hold 240.

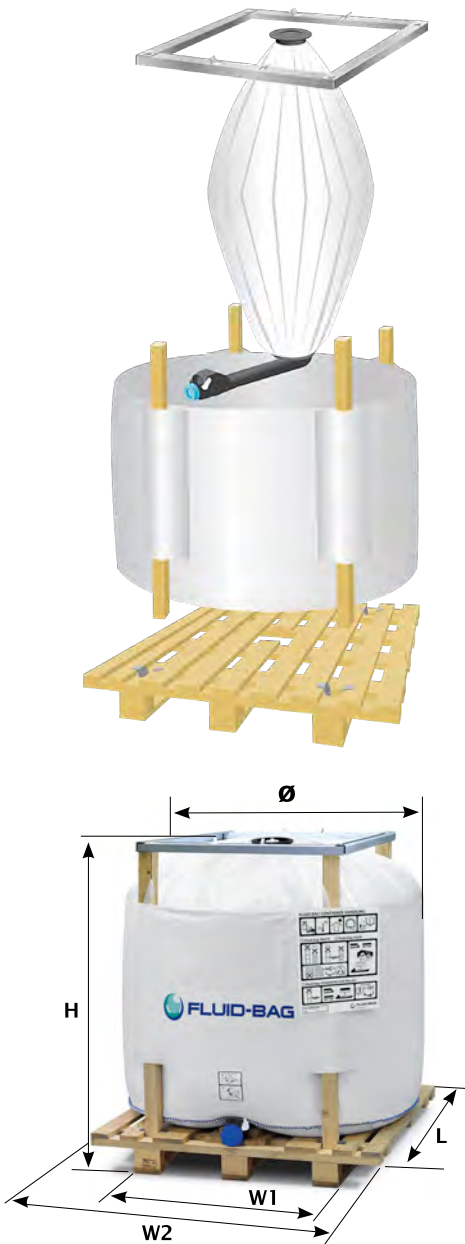


### Transport (when filled)

Fluid-Bag FLEXI can be transported by road, rail and sea. In a 20-foot container, 20 filled Fluid-Bag FLEXI's of size 900 liters can be transported.

### Applications and Industries

The Fluid-Bag concept is successfully used by major international players, for products such as food and fruit preparations, lubricants, greases, inks, cosmetics, pharmaceuticals, adhesives, sealants and coatings, as well as many other liquids and semi-solid materials.



### Dimensions (mm)

	900 L	1000 L
L	1150	1150
W1	800	800
W2	1130	1130
H	1145	1235
Ø	1170	1170